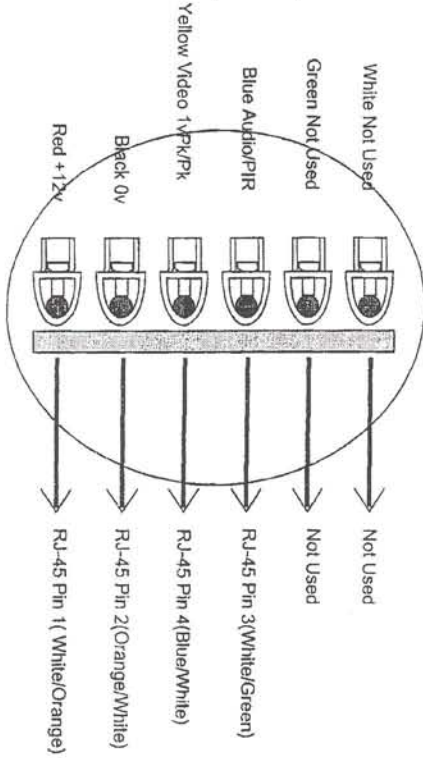


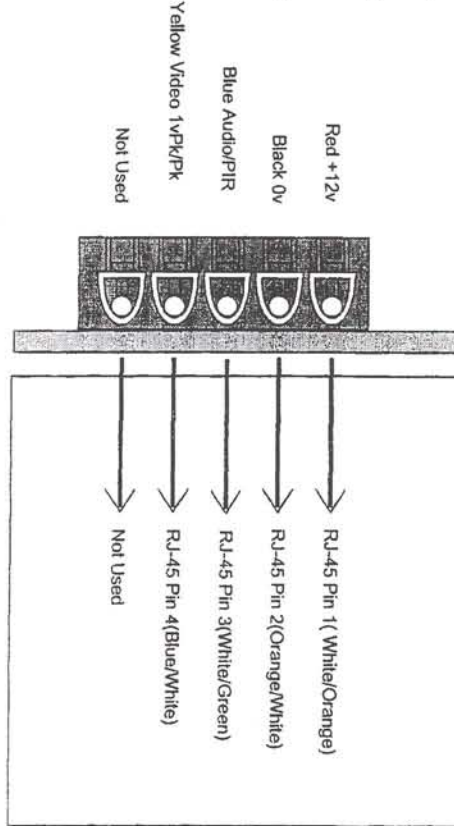
Home Network Sciences

CCTV Camera Wiring

Camera with PIR (Round)



Camera without PIR (Rectangular)



View from rear of Camera

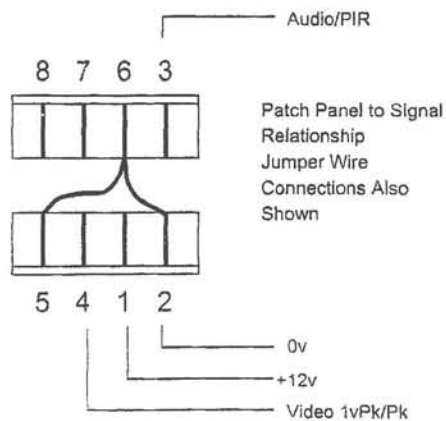
Panel Wiring

The Patch Panel is wired (and colour coded) to the EIA/TIA 568B Standard

- 1) Wh/Or 5) Wh/Bl
- 2) Or/Wh 6) Gn/Wh
- 3) Wh/Gn 7) Wh/Bl
- 4) Bl/Wh 8) Bn/Wh

The Following Additional Connections Should Be Made At The Patch Panel Using Jumper Wire

- Pin 2 (Or/Wh) to Pin 6 (Gn/Wh)
- Pin 6 (Gn/Wh) to Pin 5 (Wh/Bl)



HellermannTyton